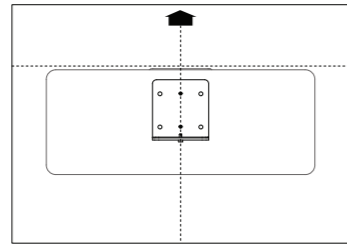


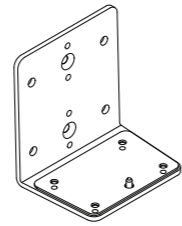
WALL MOUNT

INTO STUD

► I have:

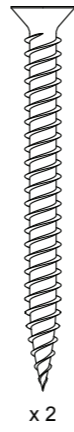


x1



x1

x1

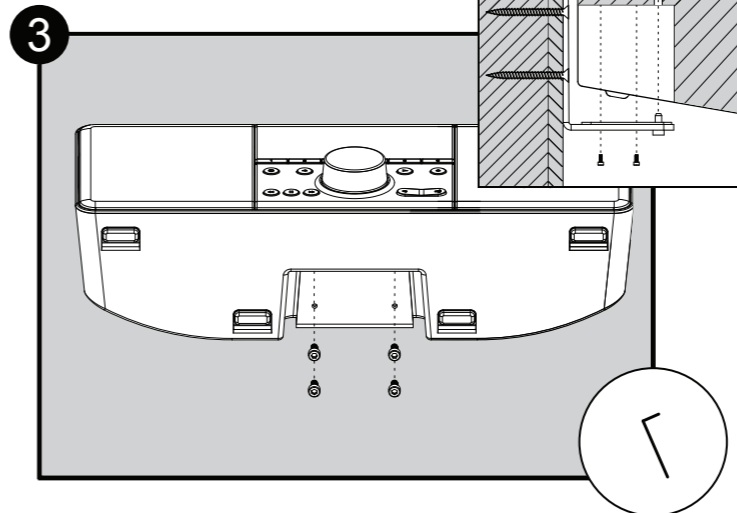
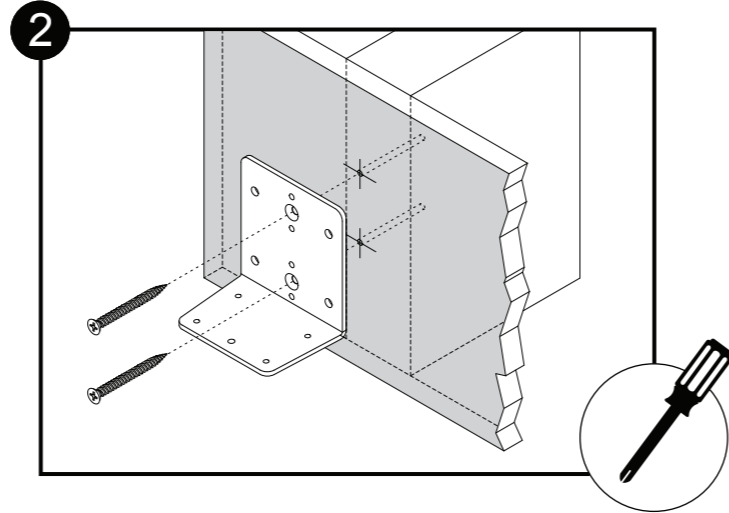
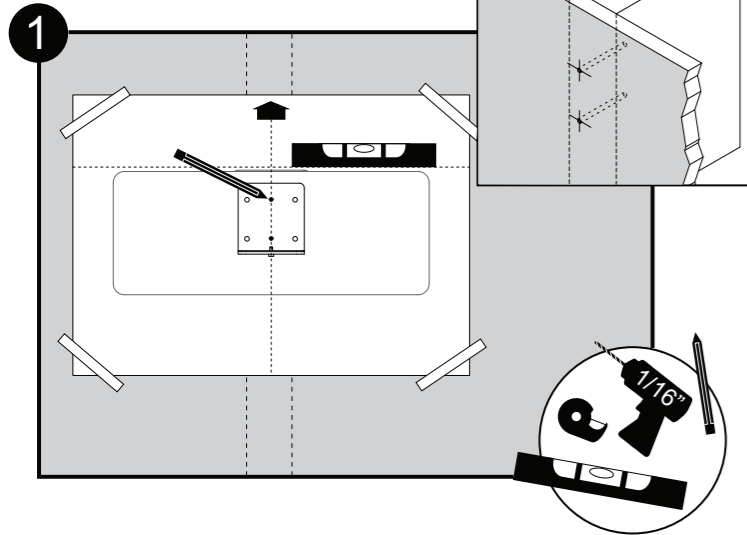
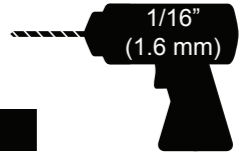


x2

x4

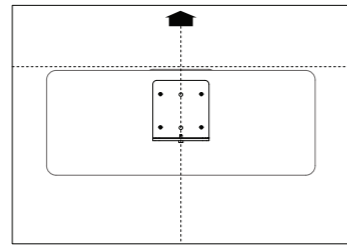


► I need:

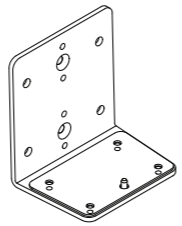


INTO WALL ANCHOR

► I have:

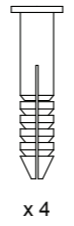


x1

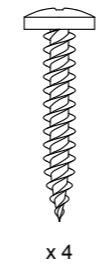


x1

x1



x4

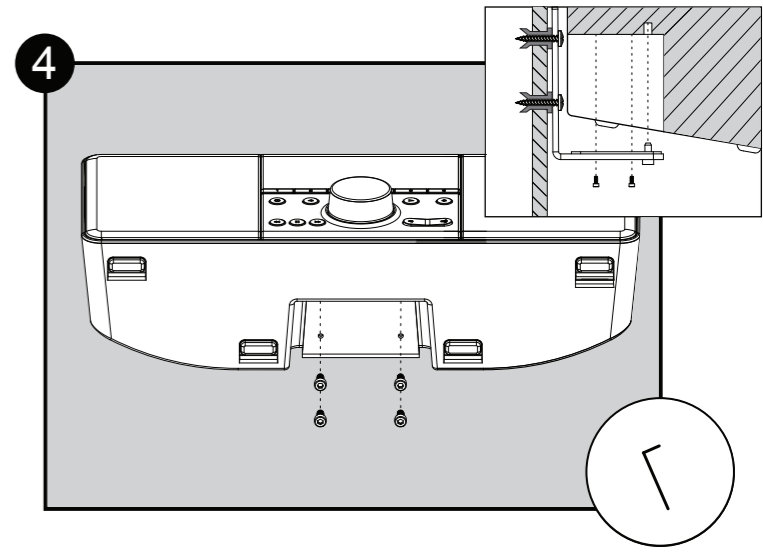
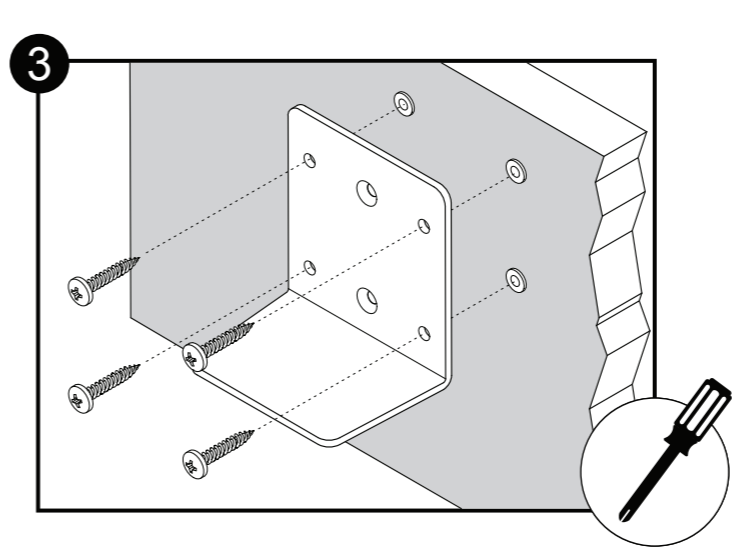
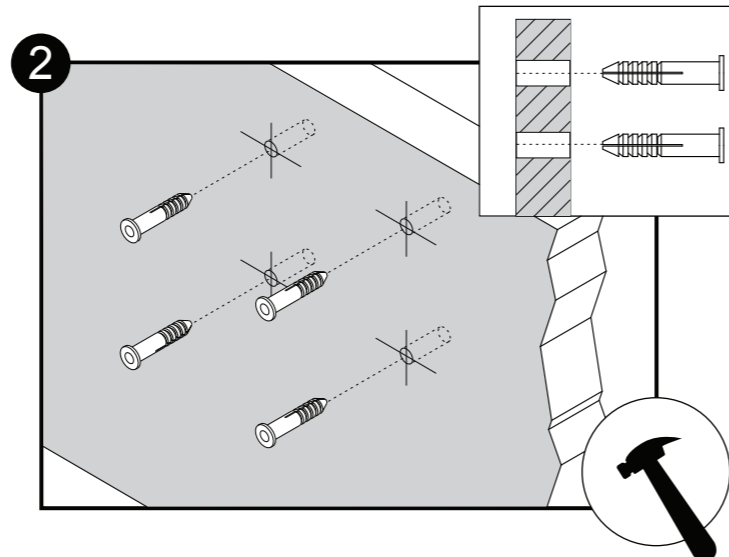
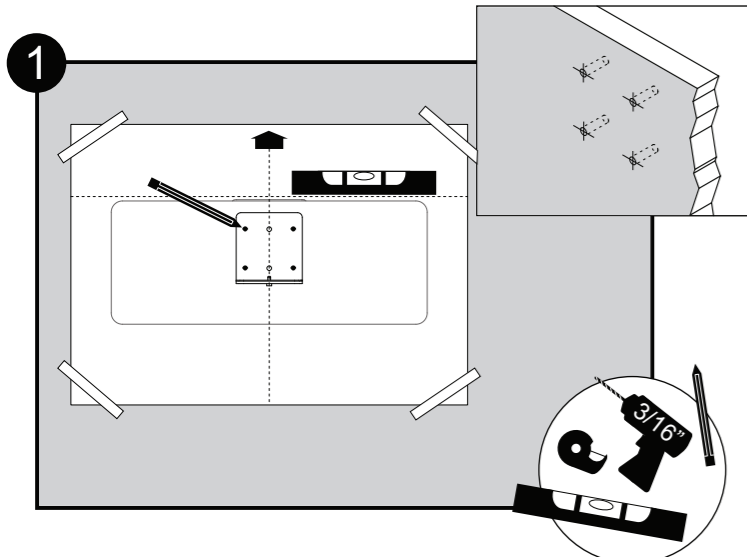
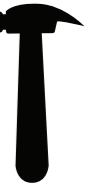
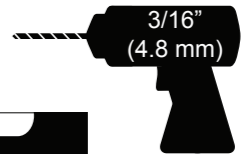
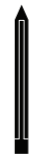


x4

x4



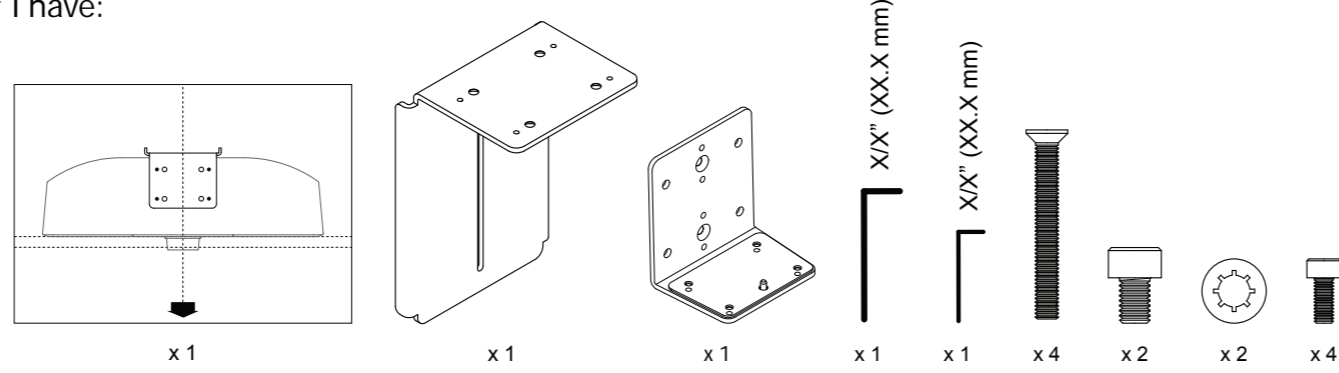
► I need:



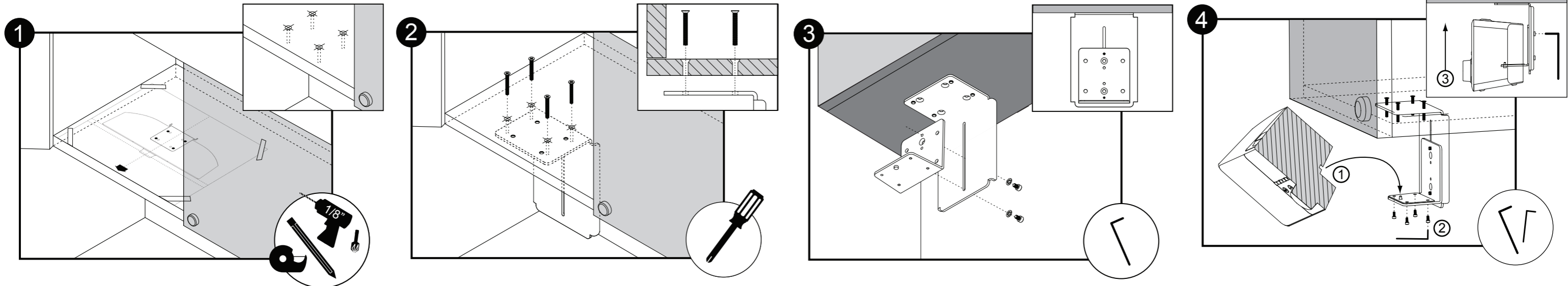
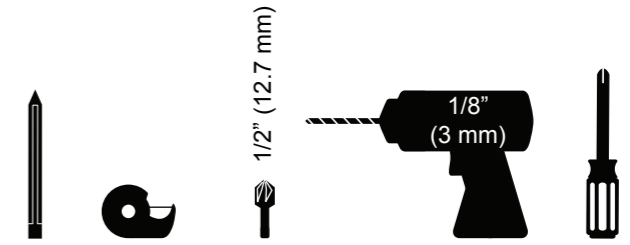
CABINET MOUNT

FROM INSIDE

► I have:

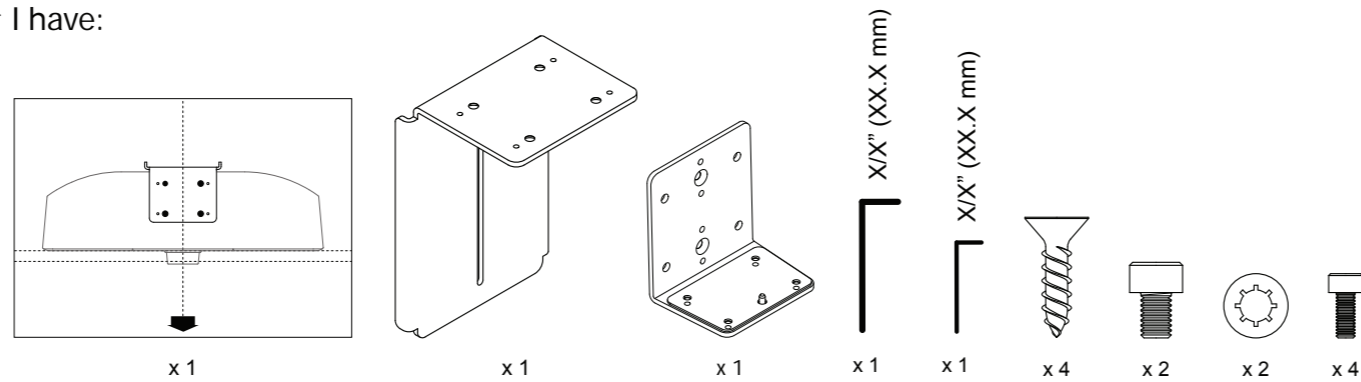


► I need:



FROM BELOW

► I have:



► I need:

